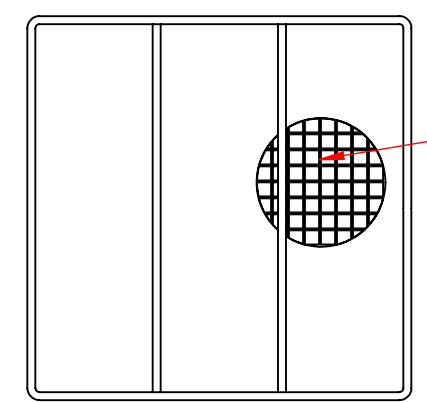
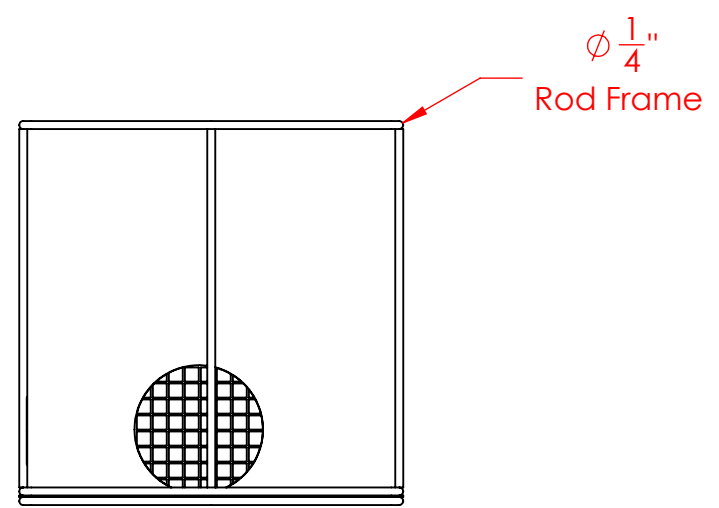
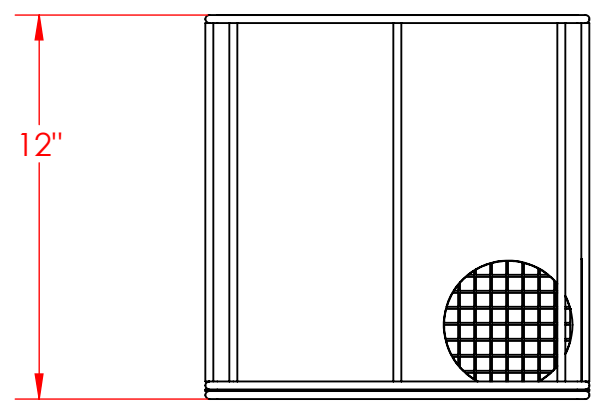
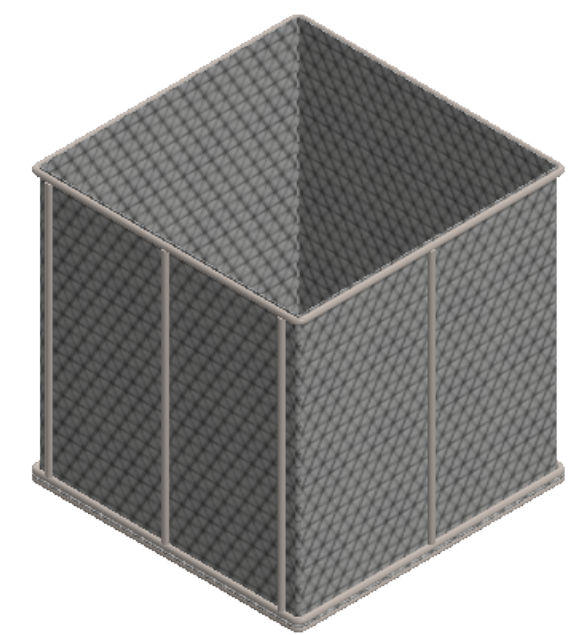
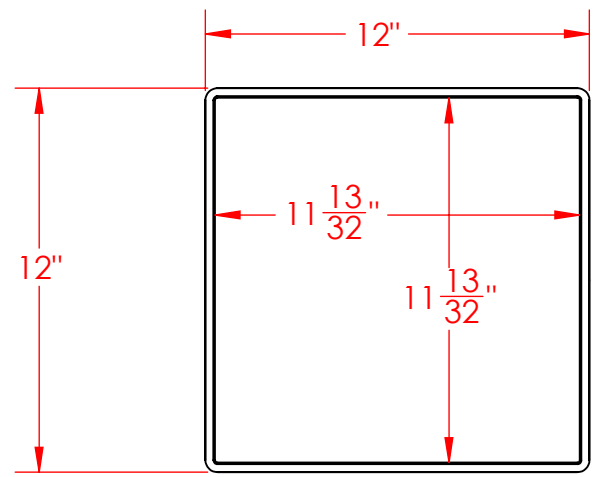


8 7 6 5 4 3 2 1

D
C
B
A

D
C
B
A



UNLESS OTHERWISE SPECIFIED:
DIMENSIONS ARE IN INCHES
TOLERANCES:
FRACTIONAL $\pm 1/16$ "
ANGULAR: ± 5 DEG.
TWO PLACE DECIMAL ± 0.03
THREE PLACE DECIMAL ± 0.015

EST WGT
6.0 lbs.
MATERIAL
304 Stainless Steel
FINISH
Natural

DO NOT SCALE DRAWING

Rectangular Wire Mesh Basket:
12Lx12Wx12H, 304 SS, 1/4 Rod
Frame, No Handles, Mesh: 2 x .063

SIZE **B** DWG. NO.
TMT-120120090-N02S

PROPRIETARY AND CONFIDENTIAL
THE INFORMATION CONTAINED IN THIS
DRAWING IS THE SOLE PROPERTY OF
THREE M TOOL. ANY REPRODUCTION IN
PART OR AS A WHOLE WITHOUT THE
WRITTEN PERMISSION OF THREE M TOOL
IS PROHIBITED.

8 7 6 5 4 3 2 1